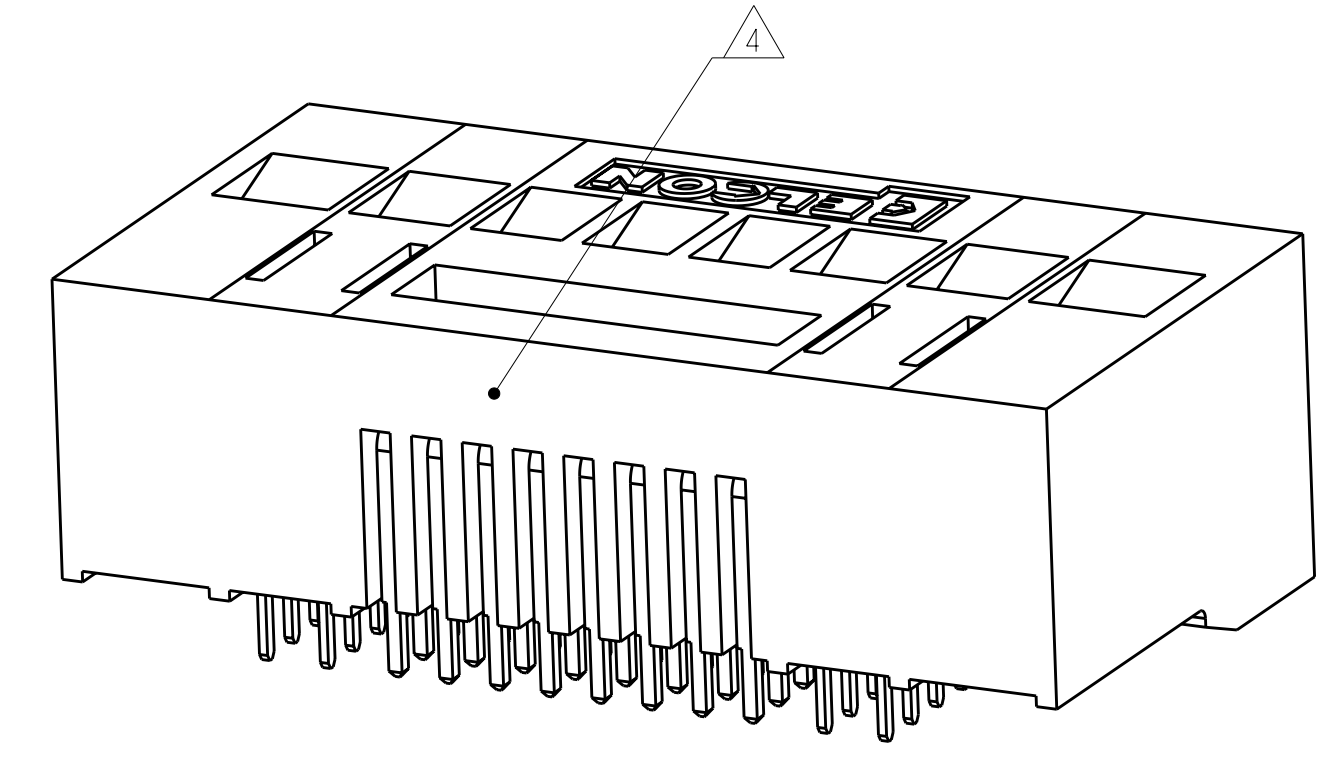


LOC	DIST	REVISIONS			
P	LTR	DESCRIPTION	DATE	DWN	APVD
A		RELEASED	05JAN2009	RG	PD
B		REV PER ECO-11-000681	10FEB2011	RG	MS



SCALE 3:1

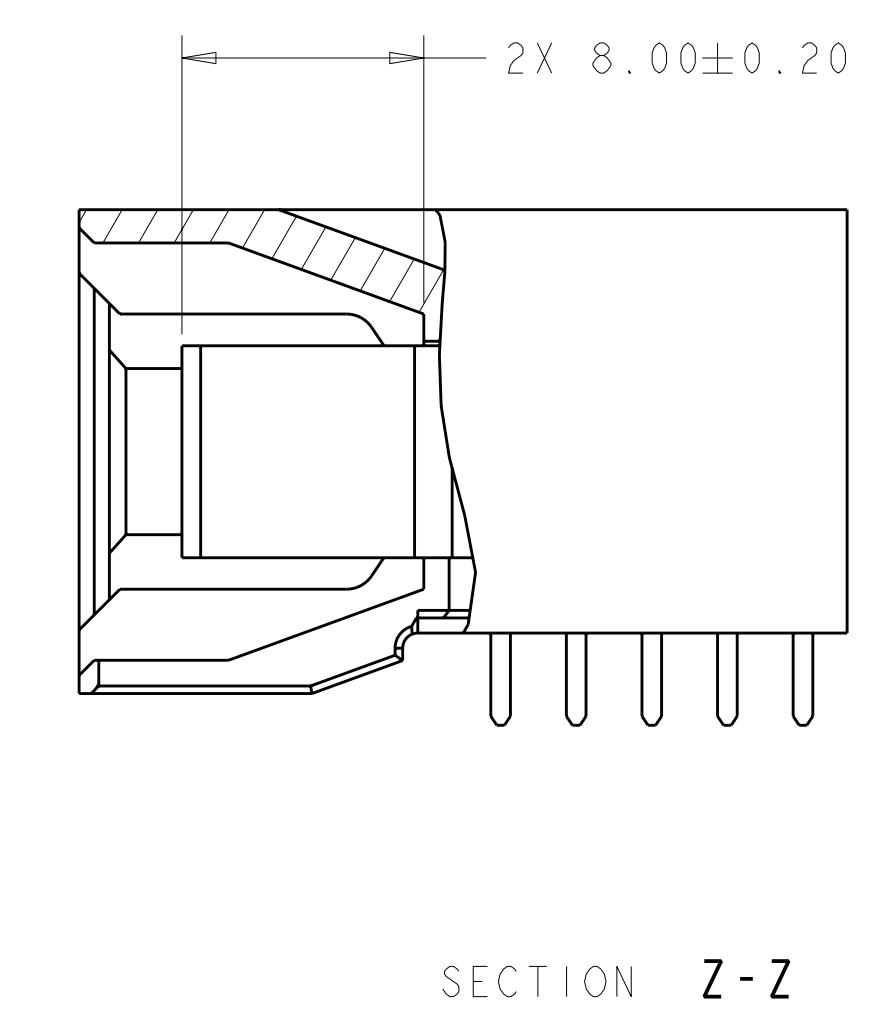
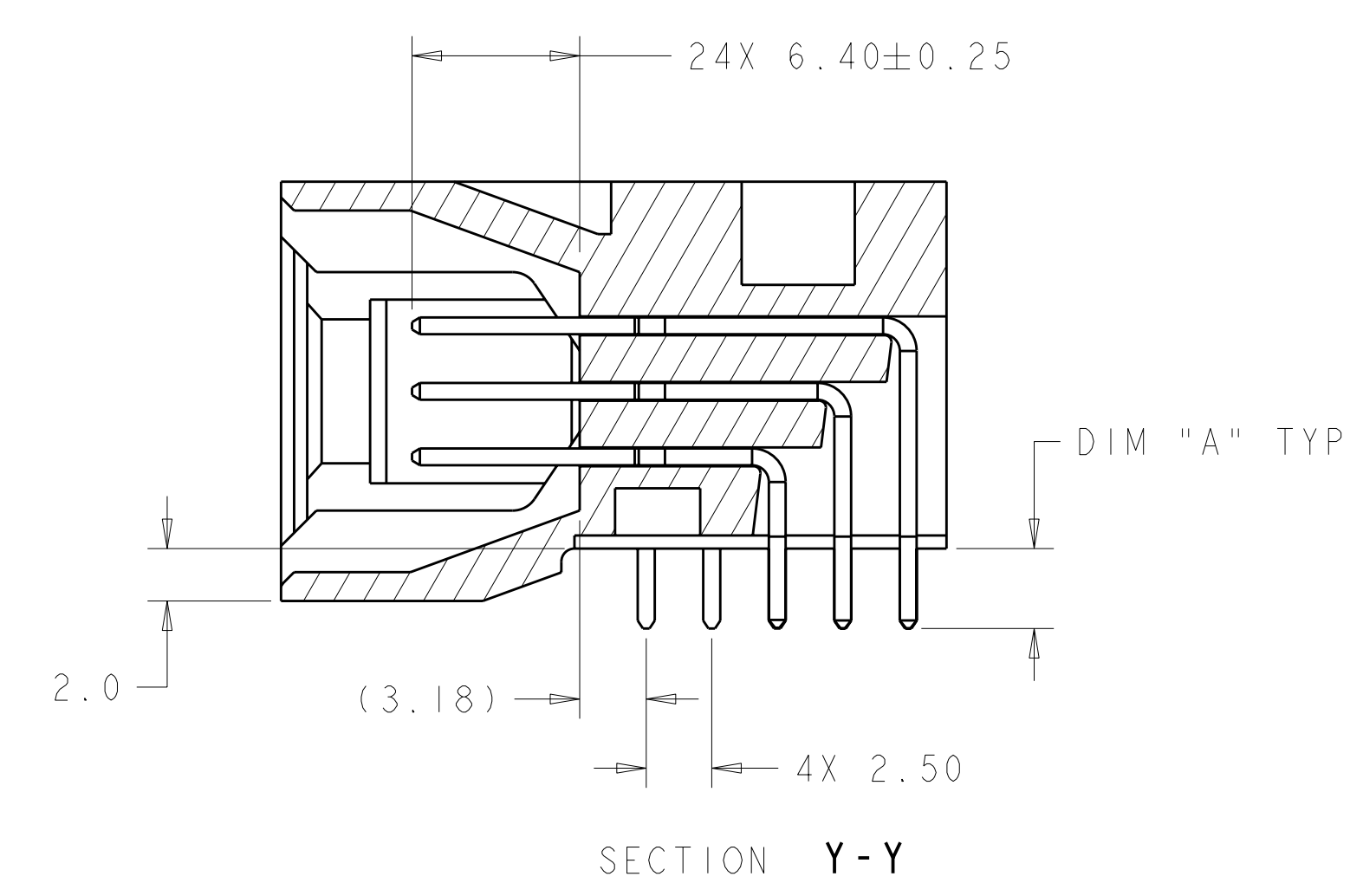
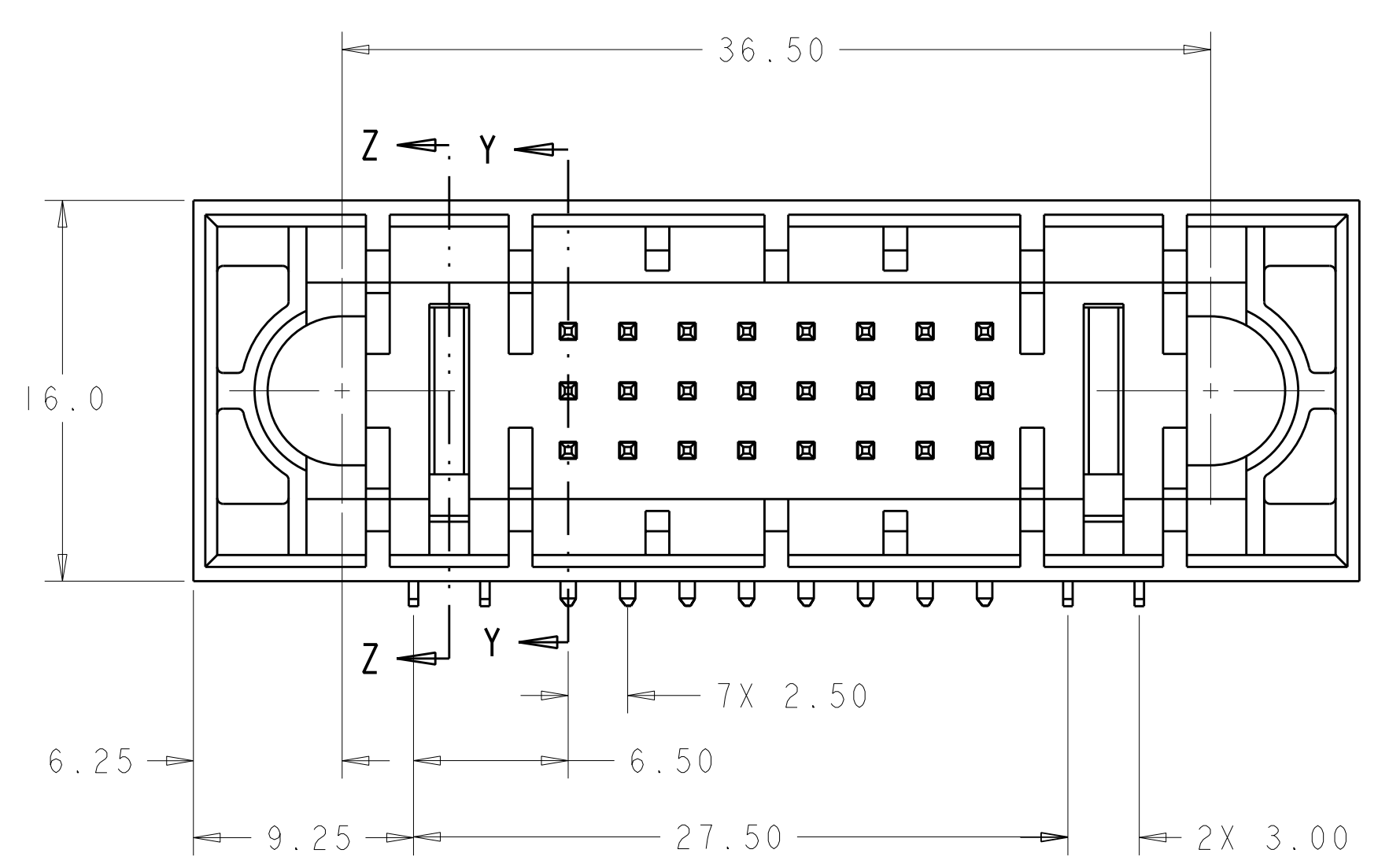
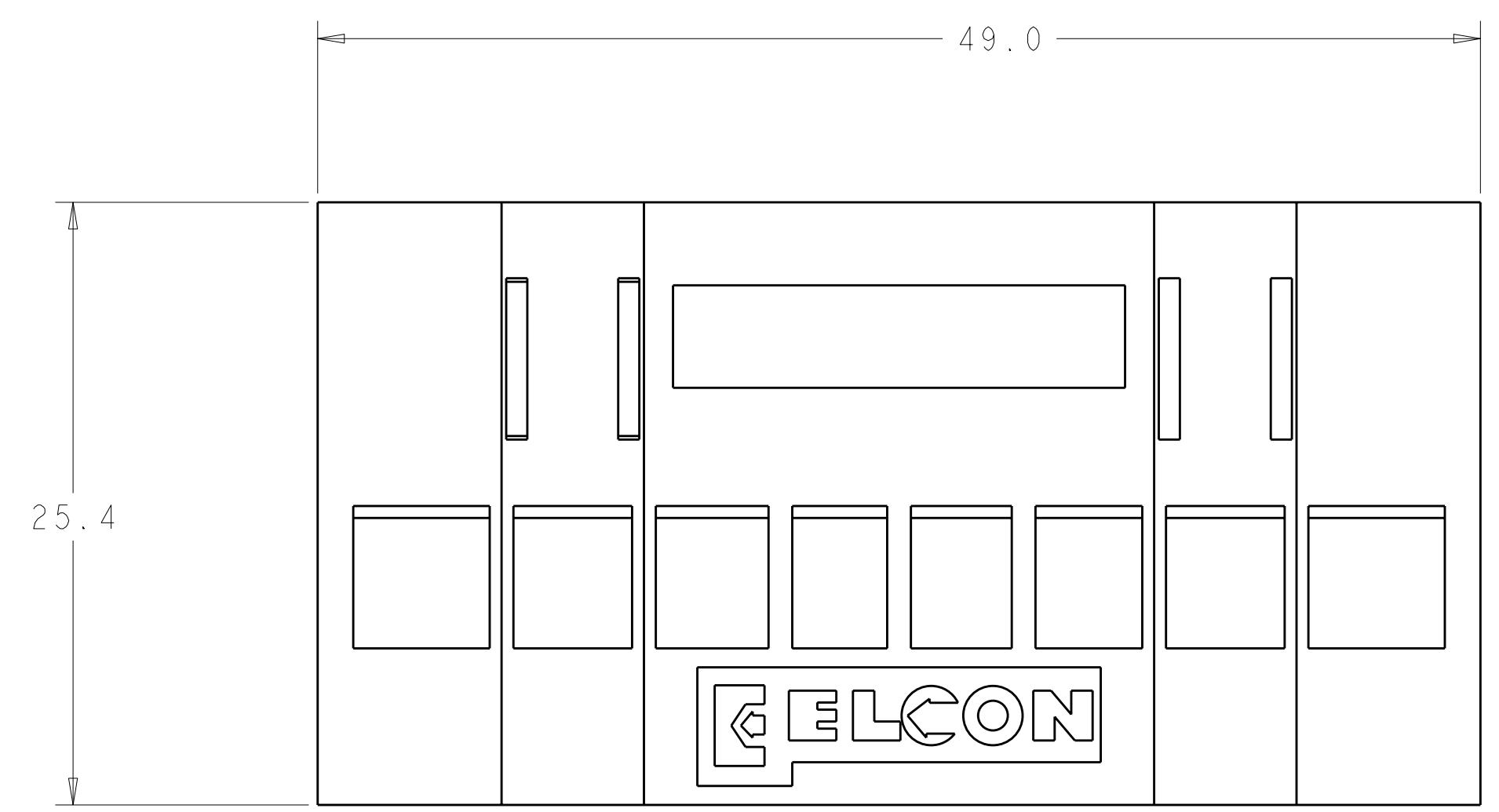
1. PART NUMBER CHANGES AND OR DESIGN CHANGES AFFECTING ITEM INTERCHANGEABILITY REQUIRE PRIOR TYCO ELECTRONICS APPROVAL AND AUTHORIZATION BY REVISION TO THIS DRAWING.

△ MATERIAL: INSULATORS - THERMOPLASTIC, GLASS REINFORCED, COLOR: BLACK
 UL94V-0 FLAMMABILITY RATED.
 SIGNAL PINS: BRASS ALLOY
 POWER CONTACTS: COPPER ALLOY

△ FINISH: CONTACTS: PLATING SELECTIVE GOLD 0.76µm MIN THK.
 OVER NICKEL 1.27µm MIN THK.
 TERMINALS: TIN PLATE 3.05µm MIN THK. OVER NICKEL 1.27µm MIN THK.

△ ITEMS PROVIDED TO THIS SPECIFICATION TO BE PERMANENTLY IDENTIFIED PER THE FOLLOWING IDENTIFIER LABEL

TYCO ELECTRONICS P/N DATE CODE (e.g. 0106)
 XXXXXXXX-X XXXX



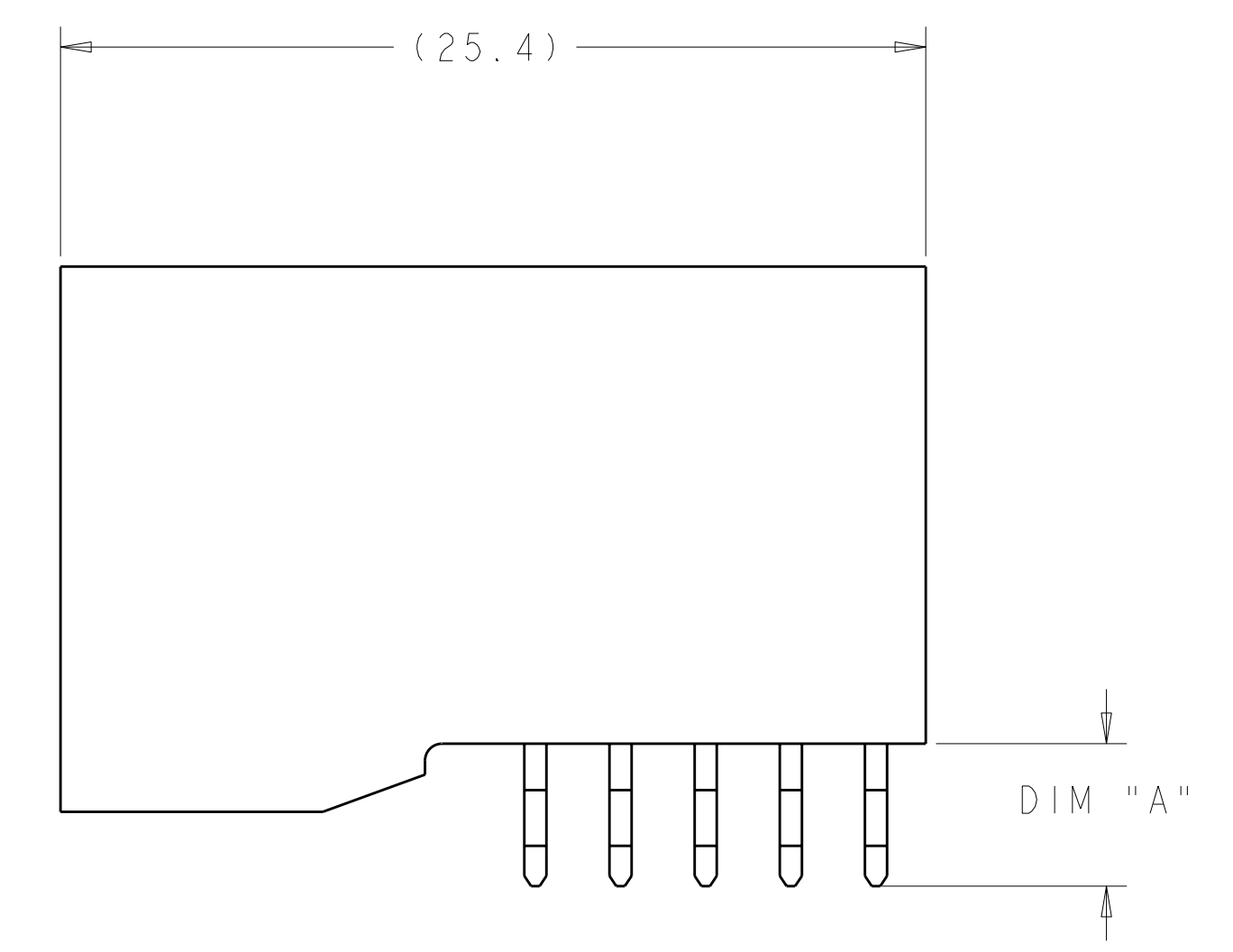
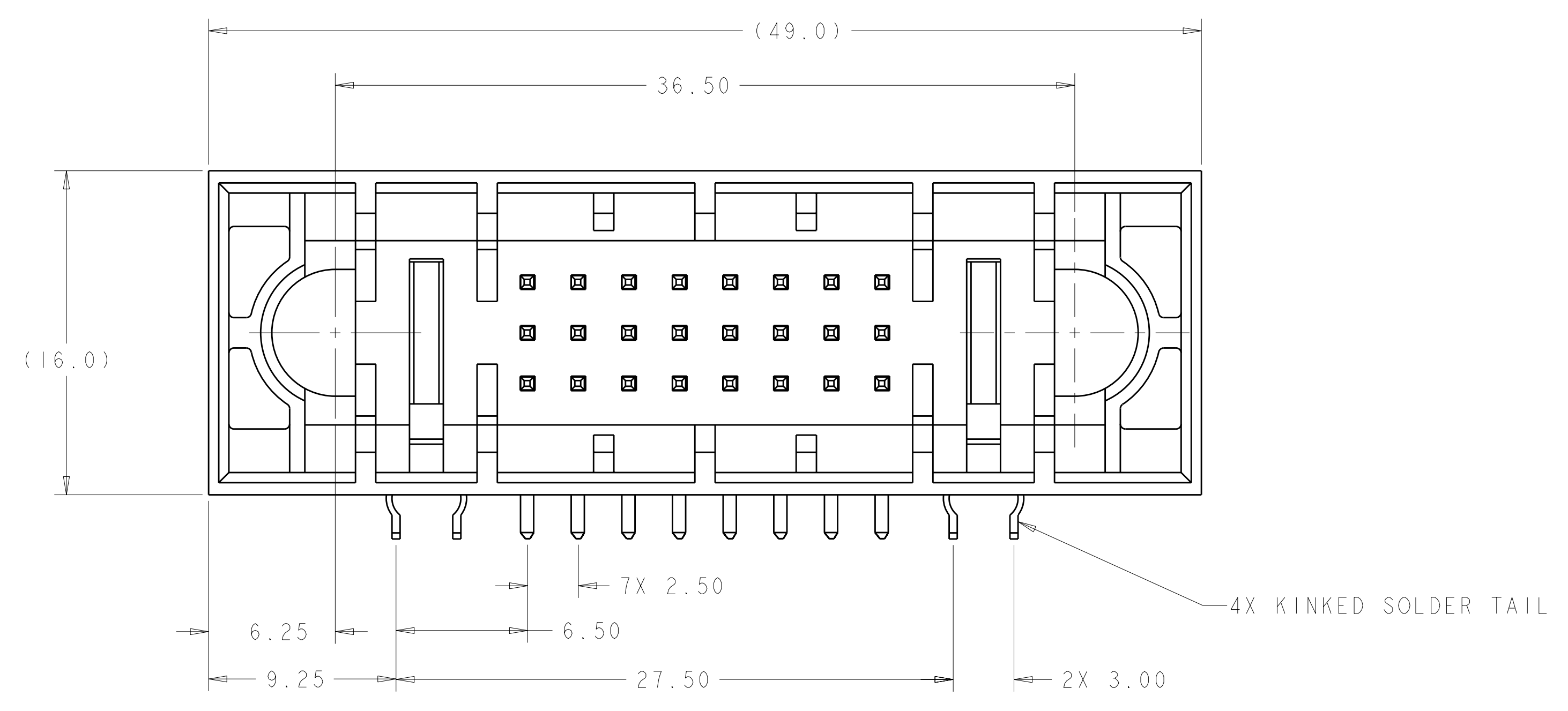
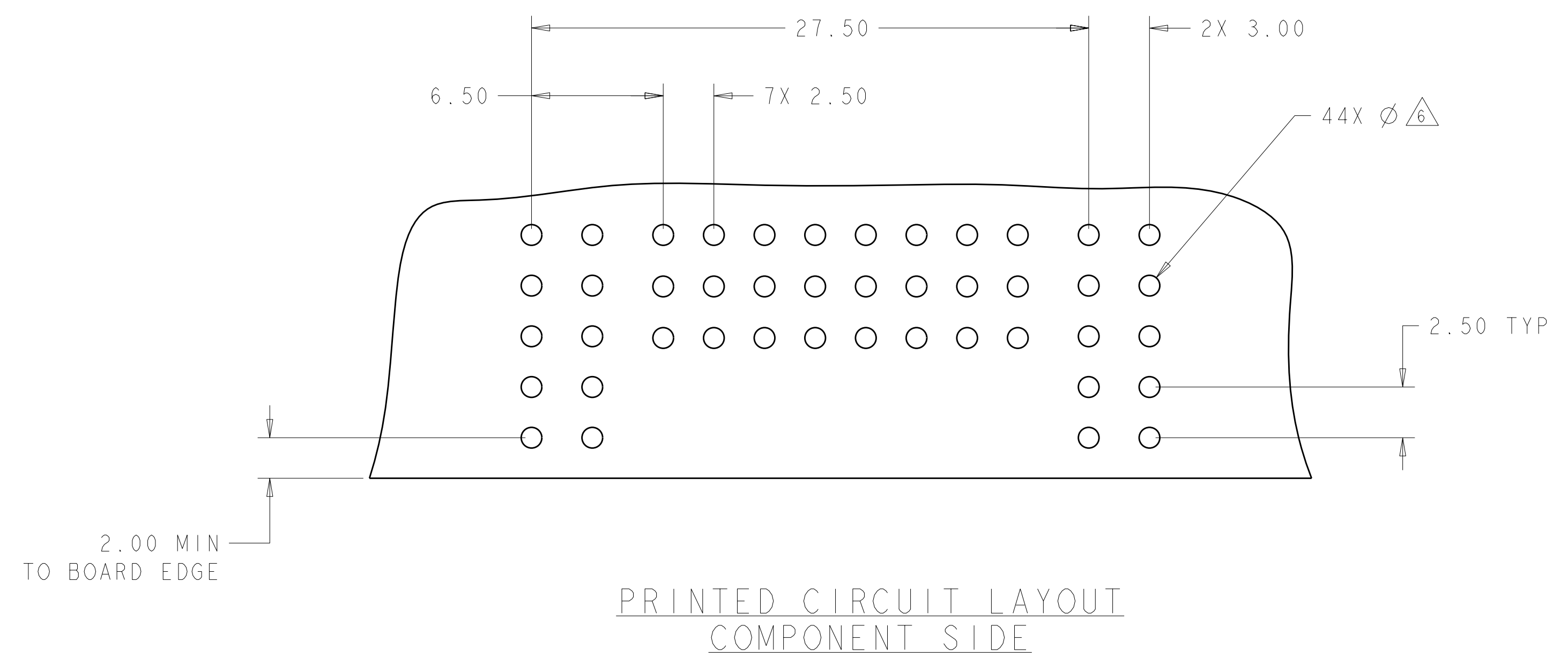
DIM "A"	DESCRIPTION	PART NUMBER
4.65	KINKED TAIL	6651757-3
4.65	SOLDER TAIL	6651757-2
3.05	SOLDER TAIL	6651757-1

ELCON MINI PAK

DIMENSIONS: mm TOLERANCES UNLESS OTHERWISE SPECIFIED: 9 PLC ±.5 1 PLC ±.5 5 PLC ±.25 4 PLC ±. ANGLES ±. FINISH: △		DWN: R. GRZYBOWSKI CHK: P. DAMATO APVD: M. PERCHERIE DATE: 05JAN2009 PRODUCT SPEC: - APPLICATION SPEC: - WEIGHT: - CUSTOMER DRAWING	Tyco Electronics Harrisburg, PA 17105-3608 NAME: PIN CONNECTOR ASSEMBLY RIGHT ANGLE, SOLDER TAIL MINIPAK SIZE: A 00779 C=6651757 SCALE: 4:1 SHEET 1 OF 3 REV B
--	--	--	--

LOC	DIST	REV	DATE	BY	APPD
GP	00				

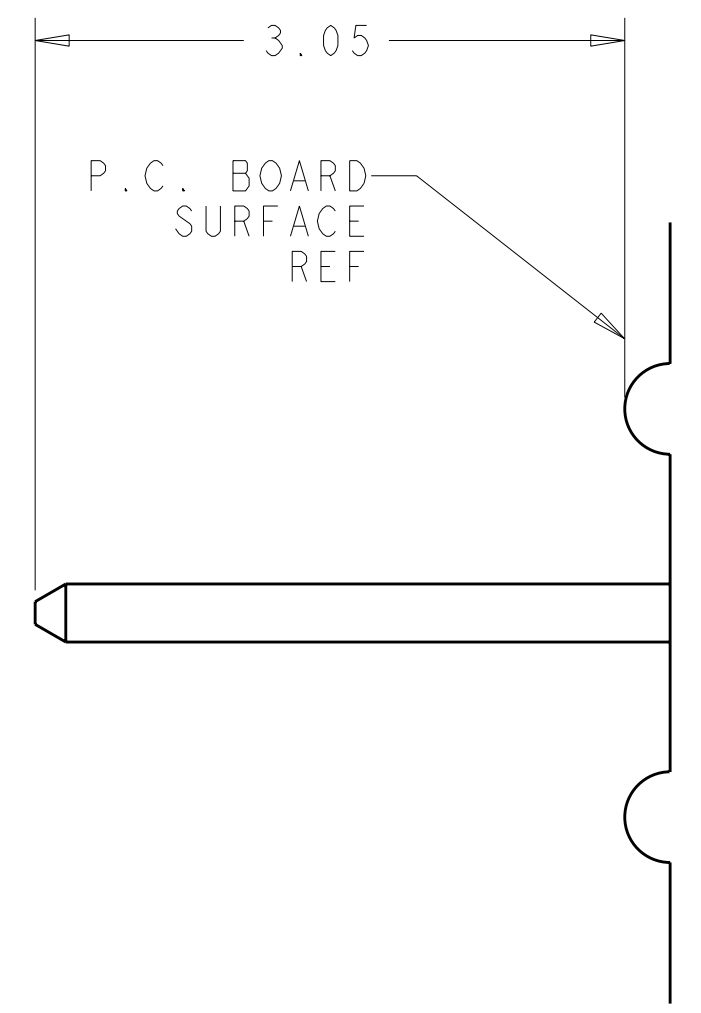
REVISIONS					
REV	DATE	DESCRIPTION	BY	APPD	DATE
-	-	SEE SHEET 1	-	-	-



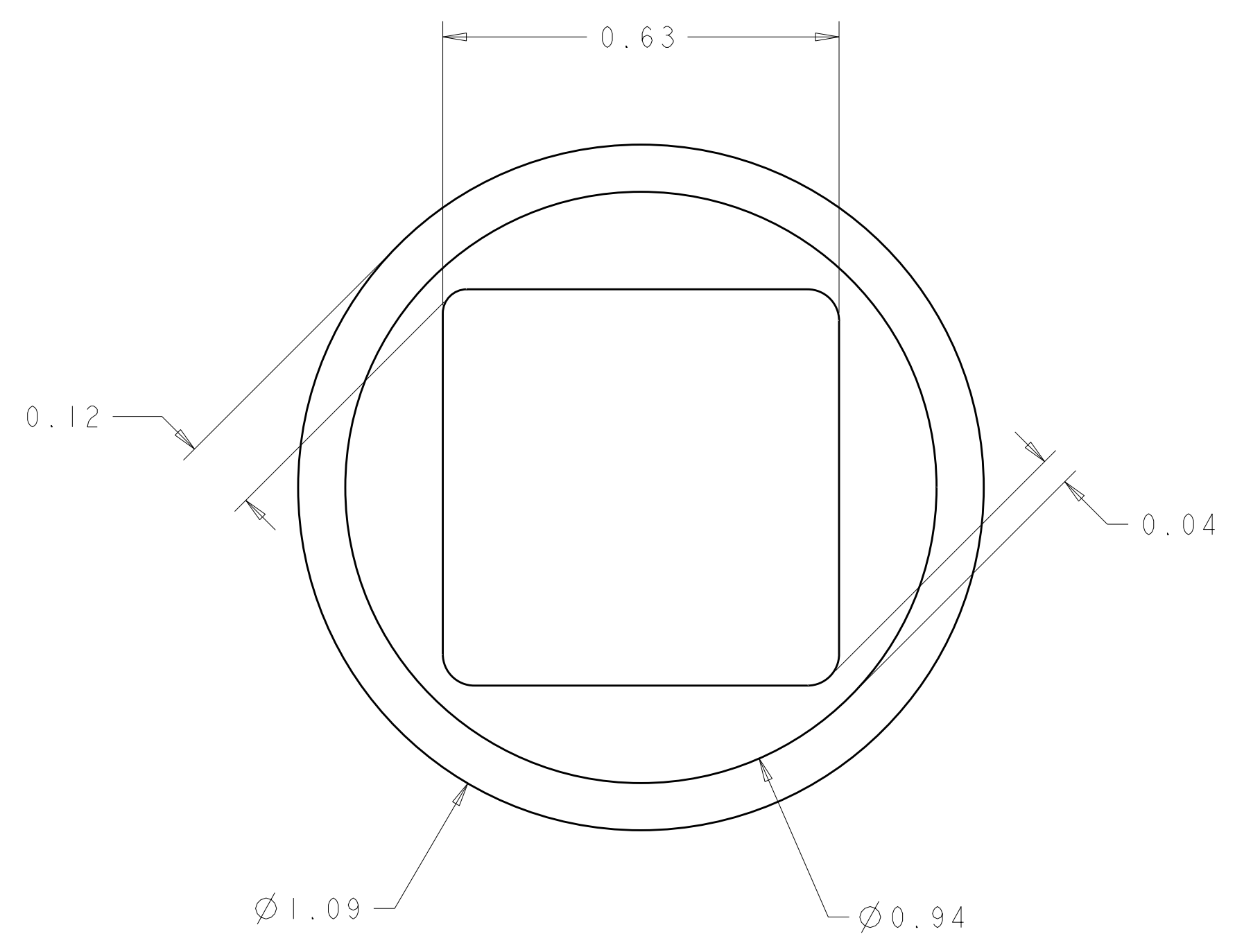
6651757-3
 W/ KINKED SOLDER TAILS
 ONLY

<small>THIS DRAWING IS UNPUBLISHED. RELEASED FOR PUBLICATION BY TYCO ELECTRONICS CORPORATION. ALL RIGHTS RESERVED.</small>		DWN R. GRZYBOWSKI 05JAN2009 CHK P. DAMATO 05JAN2009 APVD M. PERCHERIE 05JAN2009	Tyco Electronics Harrisburg, PA 17105-3608
DIMENSIONS: mm 	TOLERANCES UNLESS OTHERWISE SPECIFIED: 9 PLC ±.5 1 PLC ±.5 3 PLC ±.25 4 PLC ±.5 ANGLES ±.5 FINISH	NAME PRODUCT SPEC APPLICATION SPEC WEIGHT CUSTOMER DRAWING	NAME PIN CONNECTOR ASSEMBLY RIGHT ANGLE, SOLDER TAIL MINIPAK SIZE CAGE CODE DRAWING NO A100779C-6651757 SCALE 4:1 SHEET 2 OF 3 REV B

LOC	DIST	REVISIONS					
GP	00	P	LTR	DESCRIPTION	DATE	DWN	APVD
-	-	-	-	SEE SHEET 1	-	-	-



5. SOLDER PIN DETAIL
 SCALE 10 : 1



6. SOLDER TERMINATION AREA
 SCALE 40:1
 RECOMMENDED PRINTED CIRCUIT SOLDER HOLE
 FINISHED HOLE: Ø1.02 ±.08
 DRILLED HOLE: Ø1.15 ±.013
 COPPER PLATE: .025 MIN. (PER SURFACE)
 TIN PLATE: .008 MIN. (PER SURFACE)

<small>THIS DRAWING IS UNPUBLISHED. RELEASED FOR PUBLICATION 20 © COPYRIGHT 20 BY TYCO ELECTRONICS CORPORATION, ALL RIGHTS RESERVED.</small>		DWN: R. GRZYBOWSKI 05JAN2009 CHK: P. DAMATO 05JAN2009 APVD: M. PERCHERIE 05JAN2009	Tyco Electronics Harrisburg, PA 17105-3608
DIMENSIONS: mm 	TOLERANCES UNLESS OTHERWISE SPECIFIED: 0 PLC ±.5 1 PLC ±.5 2 PLC ±.25 3 PLC ±.25 4 PLC ±.5 ANGLES ±.5 FINISH	NAME: PIN CONNECTOR ASSEMBLY RIGHT ANGLE, SOLDER TAIL MINIPAK SIZE: A 00779 C=6651757 CUSTOMER DRAWING	RESTRICTED TO:
MATERIAL: - FINISH: -		WEIGHT: - SCALE: 4:1	SHEET 3 OF 3 REV B